



Features

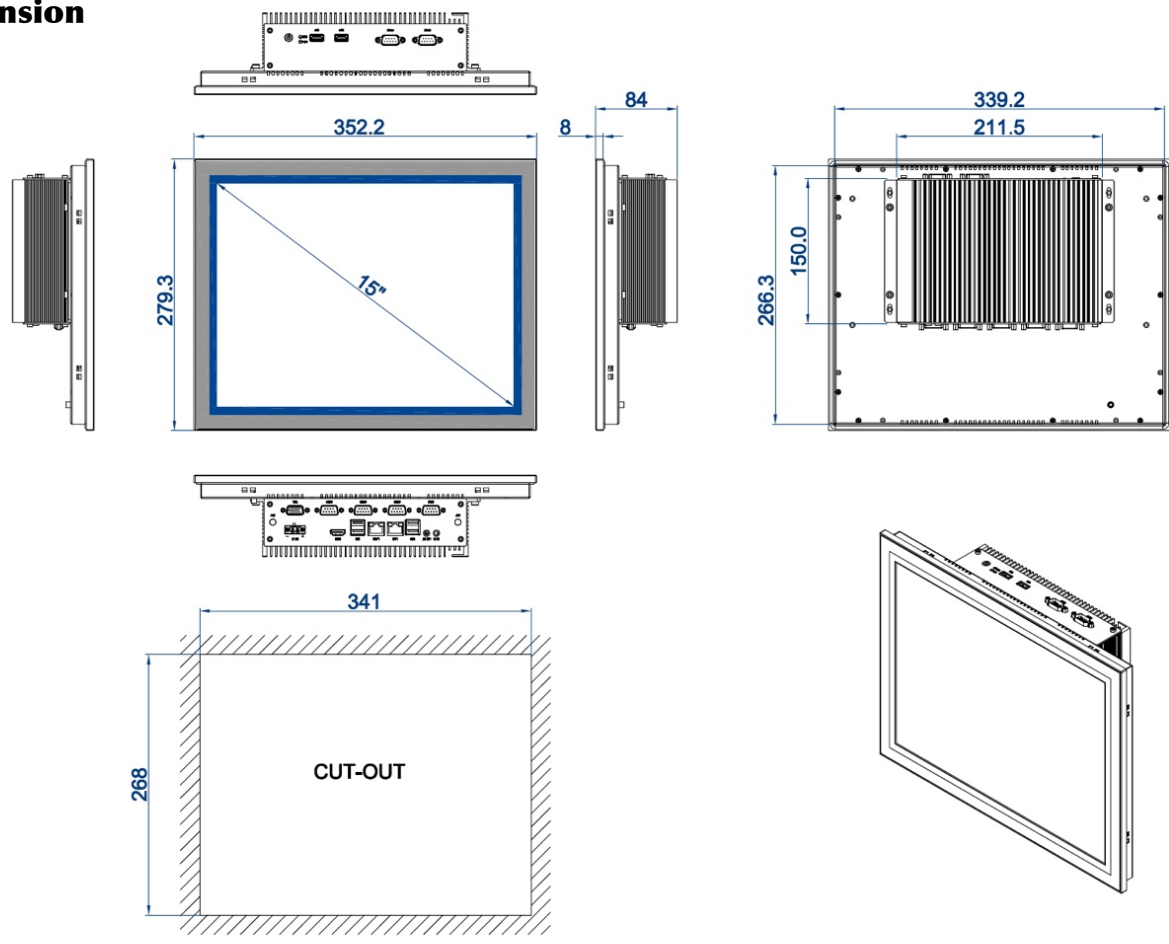
- 15.0" TFT LCD display, LED Backlit, XGA 1024 *768;
- Intel Baytrail J1900 2.0Ghz Quad-core processor;
- High temp. 5-wires precision resistive touchscreen, EETI controller;
- Aluminum-magnesium alloy, anodized treatment, Modular designed;
- Wide voltage DC 9~24V power input;
- 2*GLAN, 5*USB, 6*COM, 1*HDMI, 1*VGA, Mic-in/Line-out;
- Fan-less & Rich IO design, Panel mount, VESA, Front IP65 protection.

Specification

| | | |
|----------------------------------|-----------------------|---|
| Hardware & System | BIOS | SPI AMI EEI BIOS |
| | CPU | Intel Baytrail J1900, Quad-core 2.0Ghz, burst to 2.42Ghz |
| | Memory | SO-DIMM, DDR3L-1333, Max. up to 8GB (Compatible with DDR3) |
| | Storage | 1*mSATA (Optional support 1* 2.5"SATA) |
| | Graphic | Intel HD Graphic Gen 7 |
| | Network | 2* Intel I211AT (Optional 3G/4G/Wi-Fi) |
| | Audio | On-board Realtek ACL 282 audio controller |
| | Expansion | 1* Full size Mini-PCIe slot |
| | Watch dog | 0~256 seconds programmable |
| | OS | Win7, Win8, Win embedded, Win10, Linux |
| IO interface | COM | 6x RS232 (Optional support 1x RS485) |
| | Ethernet | 2x RJ45, 10/100/1000 Mbps |
| | Audio | Mic-in/Line-out |
| | USB | 1x USB3.0, 4x USB2.0 |
| | Display | 1x HDMI, 1x VGA |
| | Power | 1x 2 pins, phenix terminal |
| LCD Display | Size/Type | 15.0" TFT LCD |
| | Resolution | 1024 * 768 (XGA) |
| | Brightness | 350 nits |
| | Backlit & MTBF | LED backlit & 50 000hours |
| | Display area | 304.128 * 228.096 |
| | View angle | 80/80/80/80 |
| Touchscreen | Type | High temp. 5-wires Resistive touchscreen |
| | Response time | <5ms |
| | Click life | 250g / 35 million times |
| | Special treatment | PET film laminated, flat design |
| | Touch controller | EETI |
| Structure | Structure and surface | Magnesium-Aluminum alloy, sand blasting, anodized treatment |
| | Mount method | Panel mount (Optional support VESA 75/100) |
| | Cooling system | Large area finned heat sink |
| | Overall dimension | 352.2 * 279.3 * 84.0 (mm) |
| | Cut-out dimension | 341 * 268 (mm) |
| | Net weight | 4.5 KG |
| | IP protection | Front Panel IP65 |
| Power & Environmental | Operating temp. | -20 ~ +60°C |
| | Storage temp. | -30 ~ +80°C |
| | Relative Humidity | 10 ~ 95% @ 10C (Non-condensation) |
| | Vibration | 50 ~ 500 Hz, 1.5G, 0.15mm peak to peak |
| | Shock | 10G/Peak (11 ms) |
| | Power input | DC 9~24V |
| | Power consumption | Around 35W |
| | EMC | CE/FCC Class A |

DIMENSIONAL DRAWING:TPC-PR150

Dimension



DIMENSIONS IN MILLIMETERS

TAICENN
 DATE:2019.06.13
 REV:A Unit:mm

Ordering info.

| Part no. | Description |
|-----------------------------|--|
| TPC-PC150C1 | 15.0", 1024 * 768, Intel Baytrail J1900, Pcap. touch, 2*GLAN, 5*USB, 6*COM, 1*HDMI, 1*VGA, Mic-in/Line-out, DC 9~24V |
| TPC-PR150C1 | 15.0", 1024 * 768, Intel Baytrail J1900, Resistive touch, 2*GLAN, 5*USB, 6*COM, 1*HDMI, 1*VGA, Mic-in/Line-out, DC 9~24V |
| TDDR3-2/4/8GB1 | Memory: SO-DIMM, DDR3L, 2GB/4GB/8GB Memory |
| TMSATA-32/64/128/256/512GB1 | mSATA SSD: 32GB/64GB/128GB/256GB/512GB |
| T25SAS-256/512GB1 | 2.5" SATA SSD: 256GB/512GB |
| T25SAH-1T/2T/4TB1 | 2.5" HDD: 1TB/2TB/4TB |
| TWM-WIFIA1 | Wi-Fi module, with Antenna |
| TWM-WIFIB1 | Wi-Fi with BT integrated module, with Antenna |
| TWM-4GA1 | All network 4G/LTE module, With Antenna |
| TA-VESAB1 | Additional VESA bracket for VESA mounting |

Packing List

- 1x Standard Product
- 1x 60W PSU (Power Supply)
- 1x Power cable & Plug
- 8x Panel mount metal clips